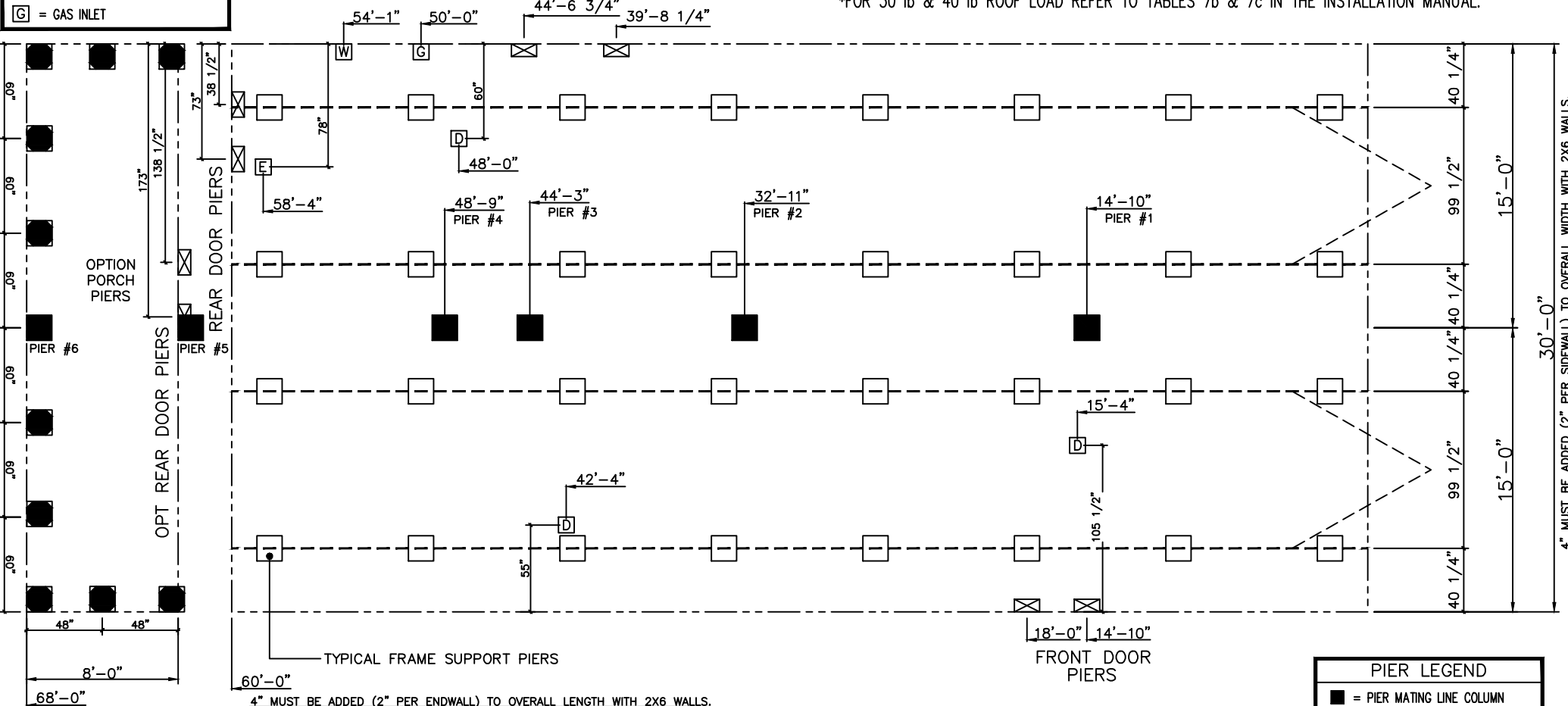


SERVICE DROP LEGEND

- E = ELECTRICAL DROP
- W = WATER INLET
- D = DWV PLUMBING DROP
- G = GAS INLET

20 lb ROOF LOAD SIDEWALL OPENING PIER LOAD 32' BOX WIDTH	SIDEWALL OPENING (FT) REQUIRED PIER LOAD (LBS)					
	3	4	5	6	8	10
	1244	1413	1581	1750	2088	2425

*FOR 30 lb & 40 lb ROOF LOAD REFER TO TABLES 7b & 7c IN THE INSTALLATION MANUAL.

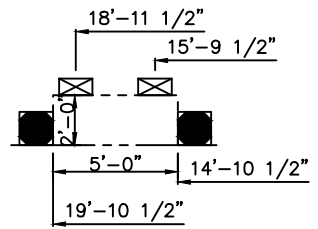


4" MUST BE ADDED (2" PER ENDWALL) TO OVERALL LENGTH WITH 2X6 WALLS.

- GENERAL NOTES:**
1. PIER LOADS SHOWN ARE TO BE USED TO SIZE THE FOOTINGS BELOW THE MARRIAGEWALL FOR COLUMN SUPPORT PIERS. REFER TO TABLES 6b AND 6c IN THE INSTALLATION MANUAL FOR LOAD ON FRAME PIER FOOTINGS FOR HOMES THAT DO NOT REQUIRE PERIMETER BLOCKING. REFER TO TABLES 7b AND 7c IN THE INSTALLATION MANUAL FOR LOAD ON FRAME PIER FOOTINGS THAT REQUIRE PERIMETER BLOCKING. REFER TO TABLES 10 AND 10a TO DETERMINE FOOTING SIZE FOR ALL PIERS.
 2. REFER TO TABLE 9 FOR PIER CONFIGURATION AND MAXIMUM ALLOWABLE HEIGHTS. CROSS REFERENCE THE PIER HEIGHT WITH THE MAXIMUM ALLOWABLE FLOOR HEIGHT LISTED IN THE FRAME TIEDOWN CHARTS (TABLE 18, 19, AND 20).
 3. FLOOR WIDTH SHOWN IS FOR STANDARD PRODUCT ONLY. CONTACT THE MFG PLANT FOR SPECIFICATIONS OF OPTIONS ORDERED.
 4. SERVICE DROP LOCATIONS IDENTIFIED ARE APPROXIMATE.
 5. THE MAXIMUM SPACING FOR 8" I-BEAMS IS 8 FEET, 10" & 12" I-BEAMS ARE 10 FEET.

COLUMN PIER #	COLUMN LOADS (in pounds)
PIER #1	4469
PIER #2	4469
PIER #3	1413
PIER #4	1413
PIER #5	2200
PIER #6	2200

COLUMN PIER #	COLUMN LOADS (in pounds)
PIER #1	7025
PIER #2	7025
PIER #3	2950
PIER #4	2950
PIER #5	4000
PIER #6	4000



	= PIER MATING LINE COLUMN
	= PIER MATING LINE NON-COLUMN
	= PIER PORCH/RECESSED ENTRY
	= PIER MAIN BEAM
	= PIER PERIMETER
	= PIER BASEMENT STEEL COLUMN

OLD DRAWING NUMBER: 32M040
1800 SQ.FT. (STD PLAN "CONDITIONED")
1790 SQ.FT. (W/OPT. PORCH/RECESS "CONDITIONED")

CMH MANUFACTURING	Model #: 5MH32G03A	Drawing #:
	Date: 8/13/12	Scale: NTS
Product Designer: R.Walters		32' x 60' Manor Hill
PIER LOADS		REVISION ECR- 2/28/13 RSW